

TECHNICAL DESCRIPTION



reddot winner 2020
urban design

IS 10322
(Part 5/Sec 3):2012

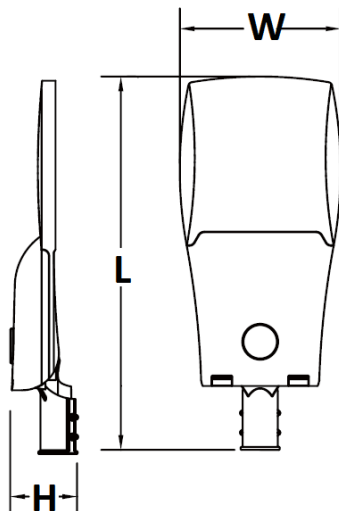
IK09

IP66



R-91003158

DIMENSIONS



Model	Wattages (W)	Dimensions L x W x H (mm)
Micro	45W	573 x 220 x 131
Mini	60W 90W	664 x 251 x 132
Midi	120W	740 x 285 x 132

DESCRIPTION (Tender text)

LED Street light luminaire, BIS certified with a flat toughened glass protector (IK09) screen printed for enhanced aesthetics and better light control, body of high pressure die cast aluminium, with a detachable aluminium die cast control gear top cover designed for tool free opening and closing, separate optical and control gear compartments (IP66).

Several optical options providing excellent photometry to optimally cater to all kinds of road configurations.

Suitable for both horizontal and vertical mounting for 60mm diameter pipe with an adjustable bracket (in steps of 2.5°) from -20° to +15°, automatic electrical disconnection on opening of control gear compartment, a spirit level indicator with respect to the horizontal plane, a vent pressure equalization unit, provision for installation of NEMA socket and pre-cabled as required.

Overall system efficacy of 125lm/W or 140lm/W at correlated colour temperature (CCT) of 4000K (optional 3000K & 5700K), colour rendering index (CRI) >70 and L70 rated lifetime of 50,000 hours.

Electrical Class I, rated voltage 240Vac, Power Factor ≥ 0.95, with BIS certified potted driver having internal surge protection of 4/4 kV and an additional surge protection device (SPD) of 10/10 kV (in both Common & Differential Modes).



APPLICATIONS

- Highways and Main Road Lighting
- Parking lots and Area Lighting
- City Roads

CHARACTERISTICS

- Separate optical and detachable control gear compartment
- Automatic electrical disconnection
- Operating Voltage Range: 240Vac
- Surge Protection Device: Standard 10kV or optional 20kV SPD
- Fitted with Vent for pressure equalization
- Spirit level indicator with respect to horizontal plane
- Ø60mm adjustable adaptor suitable for horizontal & vertical mounting - optional Ø42mm & 70mm
- Mounting with different degrees of Inclination in steps of 2.5° from -20° to +15°
- Option of NEMA socket for smart lighting
- Ingress Protection: IP66
- Impact resistance: IK09

RATING & EFFICACY

Catalogue Reference	Wattage (W)	CCT (K)	CRI	System Efficacy (Lm/W)	
				(with 3030 LED)	(with 5050 LED)
BELUGA 45W	45	4000	> 70	125	140
BELUGA 60W	60	4000	> 70	125	140
BELUGA 90W	90	4000	> 70	125	140
BELUGA 120W	120	4000	> 70	125	140

- The system efficacy & power consumption (wattage) of the luminaire are the values at 25°C ambient temperature, as initially tested and are dependent on environmental conditions, like temperature and may vary with specific configurations. Efficacy values are subject to ±5% tolerance at rated voltage.
- Data subjected to change as we keep on adopting latest technologies to keep in sync with market, please consult us.
- Products for special application are also available, Please contact us for details.

Keselec Lighting Private Limited

Manufacturing: 55 Industrial Area | NIT | Faridabad | Haryana – 121001 | India
 M: +91 85275 86444 | info@keselec.com
 Registered Office: 69 Friends Colony West | New Delhi 110 065 | India
 CIN No.: U34506DL1996PTC079231

Features



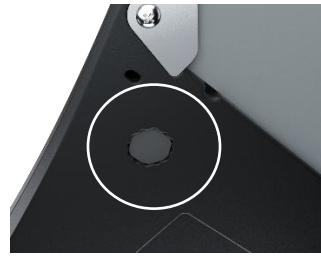
Leveling Device



Detachable Control gear Cover



Electrical Disconnect



VentPlug



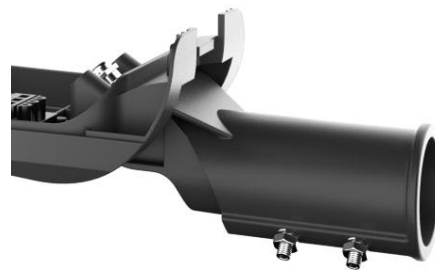
Tool Less Opening



NEMA Provision



Tiltable Mounting Adaptor



Adjustable Adaptor for horizontal & vertical mounting

KESELEC ORDERING CODE (KOC)

EXAMPLE: BG-045-57-R0-E10-AS-O3-P1-D0-S4-C1-T1-F1-L14

