

# BULLET



The BULLET shaped bollard is an architecturally lit form that's extremely robust, with 15W LEDs. A combination of aesthetics and functionality once the night has fallen.

The luminaire has a cast aluminium base with a LDPE (Low Density Polyethylene) protector, a sealed optical compartment and an accessible control gear compartment.



## KEY ADVANTAGES



- Designed to withstand temperatures up to 50°C
- Surge Protection of 10 kV
- Low maintenance
- Strong & Robust
- Supplied pre cabled (0.5m) for easy installation

## CHARACTERISTICS

Luminaire Efficacy	- 50 lm/W*
Colour Temperature (CCT)	- 3000K/4000K
Colour Rendering Index (CRI)	- 70
Optical & Control Gear Tightness	- IP 66
Impact Resistance	- IK 10
Lumen Maintenance	- L70@50,000 Hours
Nominal Voltage	- 240V/50Hz
Body Colour	- White
Electrical Class	- I

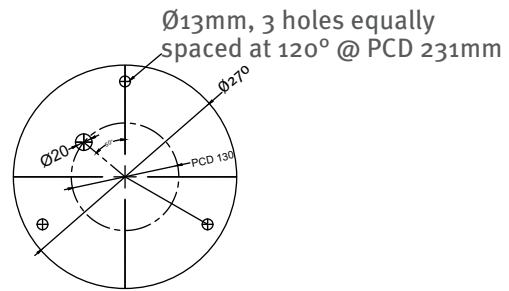
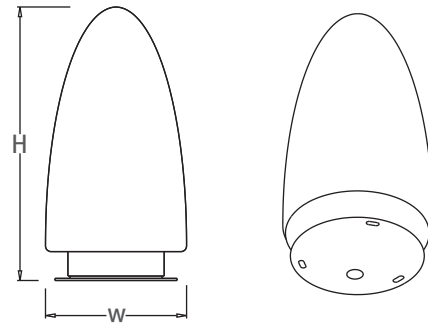


\* NOTE : The initial flux & power consumption of the luminaire are indicative values for 25°C ambient temperature. The real flux output of the luminaire depends on environmental conditions like temperature and may vary with specific configurations. Values are subject to ±5% allowance at nominal voltage.

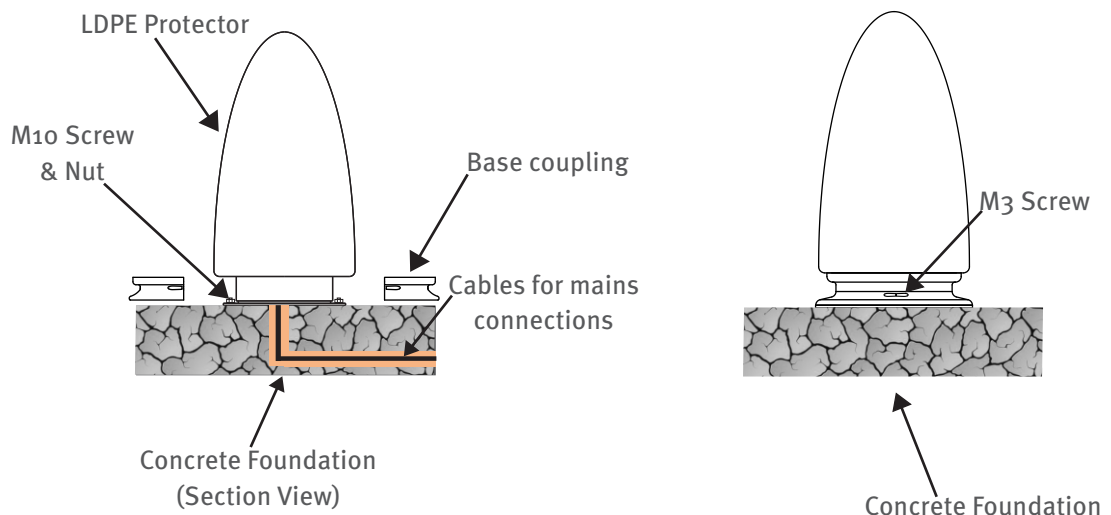
## PRODUCT RANGE & DIMENSIONS

Catalogue Reference	Size (mm)		Weight (Kg)
	W	H	
BULLET 15W NW LED	300	582	5.3

• For mounting, the base has to be bolted onto a pedestal



## INSTALLATION



Sales Head Office :  
**Kesslec Smart Lighting Technologies Private Limited**  
**(Formerly Keselec Lighting Private Limited)**  
 210 Charmwood Plaza | Eros Garden Colony |  
 Charmwood Village | Surajkund Road |  
 Faridabad -121009 | Haryana | India  
 E-mail: [info@keselec.com](mailto:info@keselec.com)