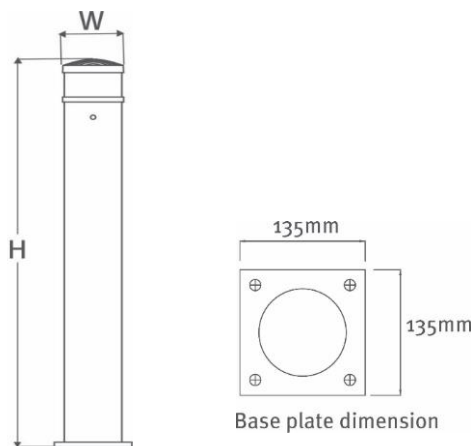


## TECHNICAL DESCRIPTION



### DIMENSIONS



Model	Wattage (W)	Dimensions W x H (mm)
VORA	9	100 x 500
	9	100 x 800
	12	100 x 500
	12	100 x 800

### APPLICATIONS

- Pathway
- Jogging track & Cycle track
- Green areas and parks
- Landscape areas

### DESCRIPTION (Tender text)

LED Bollard, BIS certified with a luminaire body made of aluminium, permanently sealed optical block (IP66) with heat sink and a clear PMMA protector (optional PC protector IK10).

Highly efficient symmetric light distribution providing excellent photometry to maximise the spacing between the bollards.

Suitable for on-ground mounting on 4xM10 bolts on 100mm PCD.

Overall system efficiency of 75lm/W at correlated colour temperature (CCT) of 4000K (optional 3000K & 5700K), colour rendering index (CRI) >70 and L70 rated lifetime of 50,000 hours.

Electrical Class I, rated voltage 240Vac, Power Factor ≥ 0.95, with BIS certified potted driver having internal surge protection of 4/4 kV (in both Common & Differential Modes).

### CHARACTERISTICS

- Compact and versatile
- Maximised savings in energy and maintenance costs
- Easy to install
- Electrical class I
- Operating temperature range -10°C to 50°C.
- Operating Voltage Range: 240Vac
- Optional version available with a 180° light shield for a back-light control.
- Optional version available with **IK10** PC protector.
- Available in 2 sizes for ground mounting on 4 x M10 bolts on 100mm PCD.
- Ingress Protection: IP66
- Impact resistance: IK07

**Kesslec Smart Lighting Technologies Pvt. Ltd.**  
**(Formerly Keselec Lighting Pvt. Ltd.)**

Manufacturing: 55 Industrial Area | NIT | Faridabad | Haryana – 121001 | India  
M: +91 85275 86444 | [info@kesslec.com](mailto:info@kesslec.com)  
Registered Office: 69 Friends Colony West | New Delhi 110 065 | India  
CIN No.: U34506DL1996PTC079231

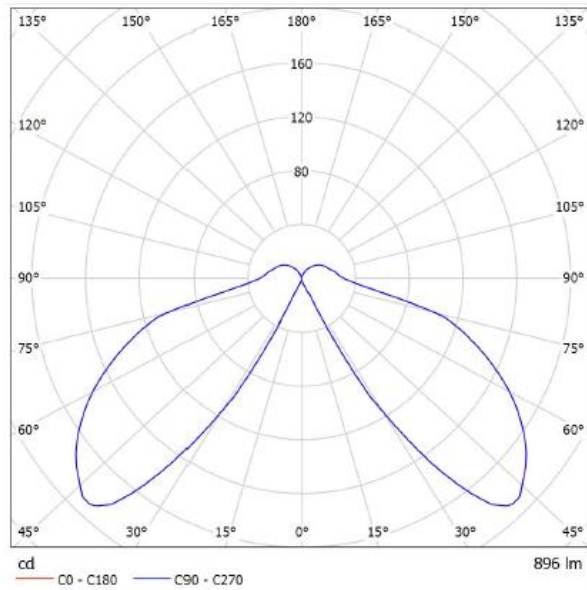
**RATING & EFFICACY**

Catalogue Reference	Wattage (W)	CCT (K)	CRI	System Efficacy (Lm/W)
VORA	9W	3000	> 70	75
VORA	12W	3000	> 70	75

- The system efficacy & power consumption (wattage) of the luminaire are the values at 25°C ambient temperature, as initially tested and are dependent on environmental conditions, like temperature and may vary with specific configurations. Efficacy values are subject to ±5% tolerance at rated voltage.
- Data subjected to change as we keep on adopting latest technologies to keep in sync with market, please consult us.
- Products for special application are also available, Please contact us for details.

**Light Distributions**

- Symmetric light distribution providing excellent photometry to maximise the spacing between the bollards

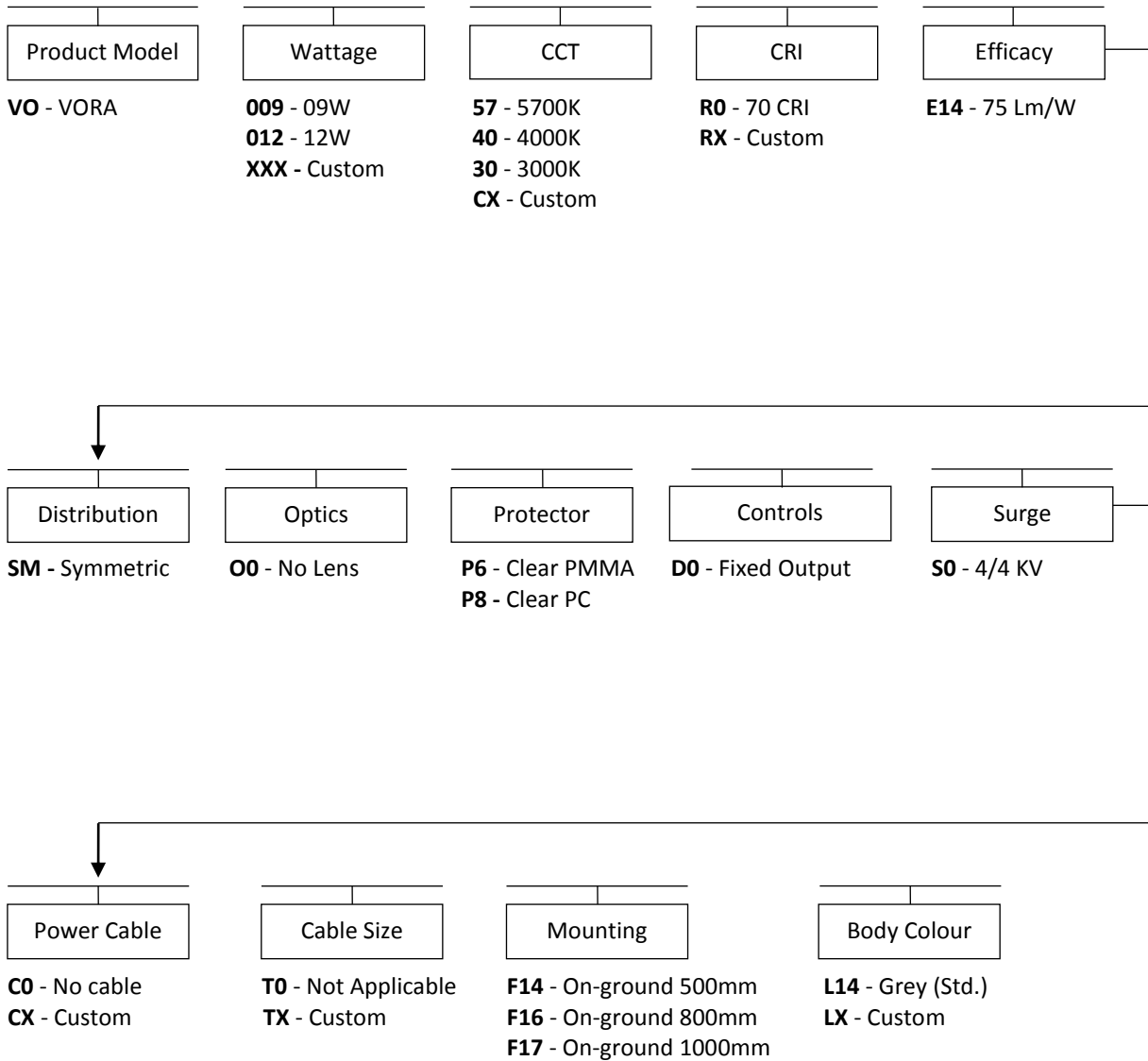


**Kesslec Smart Lighting Technologies Pvt. Ltd.**  
**(Formerly Keselec Lighting Pvt. Ltd.)**

Manufacturing: 55 Industrial Area | NIT | Faridabad | Haryana – 121001 | India  
M: +91 85275 86444 | [info@kesslec.com](mailto:info@kesslec.com)  
Registered Office: 69 Friends Colony West | New Delhi 110 065 | India  
CIN No.: U34506DL1996PTC079231

**KESELEC ORDERING CODE (KOC)**

**EXAMPLE:** VO-012-40-R0-E14-SM-O0-P8-D0-S0-C0-T0-F10-L14



**Kesslec Smart Lighting Technologies Pvt. Ltd.**  
**(Formerly Kesselec Lighting Pvt. Ltd.)**

Manufacturing: 55 Industrial Area | NIT | Faridabad | Haryana – 121001 | India  
M: +91 85275 86444 | [info@kesslec.com](mailto:info@kesslec.com)  
Registered Office: 69 Friends Colony West | New Delhi 110 065 | India  
CIN No.: U34506DL1996PTC079231