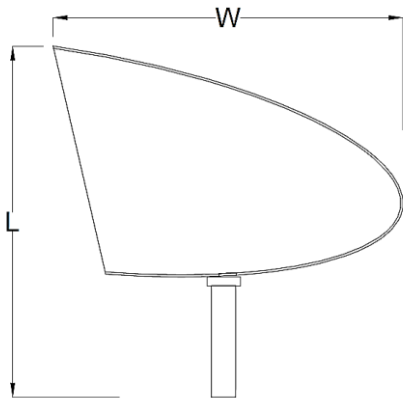


## TECHNICAL DESCRIPTION



### DIMENSIONS



Model	Wattages (W)	Dimensions L x W (mm)
BELIZE	35W 60W	460 x 510 mm

### APPLICATIONS

- Pedestrianised zones
- Pathways
- Jogging Track & Parks
- Landscape areas
- Cycle track
- City Roads

### DESCRIPTION (Tender text)

The luminaire is made up of a yellow translucent low-density polyethylene (LDPE) body (glowing from inside), a toughened glass protector (IK08), heat sink and integral control gear. IP65 optical and control gear compartments.

The optical compartment is fitted with lenses that generate a narrow or a wide light beam or can be equipped with lenses for asymmetric light distribution to optimally cater to different applications.

Overall system efficiency of 70lm/W at correlated colour temperature (CCT) of 4000K (optional 3000K & 5700K), colour rendering index (CRI) >70 and L70 rated lifetime of 50,000 hours.

Electrical Class I, rated voltage 240Vac, Power Factor ≥ 0.95, with BIS certified potted driver having internal surge protection of 4/4 kV and an additional surge protection device (SPD) of 10/10 kV (in both Common & Differential Modes).

### CHARACTERISTICS

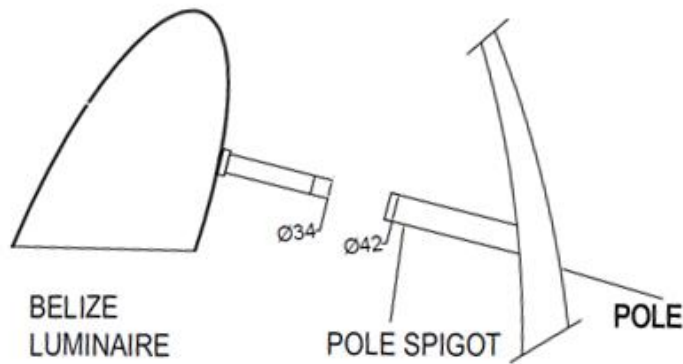
- Optimised photometric and mechanical performance with a minimum TCO (Total Cost of Ownership)
- Maximised savings in energy and maintenance costs
- Easy to install
- Several types of optics for various applications
- Extra clear toughened glass used for better transmission of light
- Operating Voltage Range: 240 Vac
- Surge Protection Device: Standard 10kV and optional 20kV SPD
- Electrical class I
- Ingress Protection: IP65
- Impact resistance: IK08

## RATINGS

Catalogue Reference	Wattage (W)	CCT (K)	CRI	Efficacy (Lm/W)
BELIZE LED 35W NW	30W	4000	> 70	70
BELIZE LED 60W NW	60W	4000	> 70	70

- The system efficacy & power consumption (wattage) of the luminaire are the values at 25°C ambient temperature, as initially tested and are dependent on environmental conditions, like temperature and may vary with specific configurations. Efficacy values are subject to ±7% tolerance at rated voltage.
- Data subjected to change as we keep on adopting latest technologies to keep in sync with market, please consult us.
- Products for special application are also available, Please contact us for details.

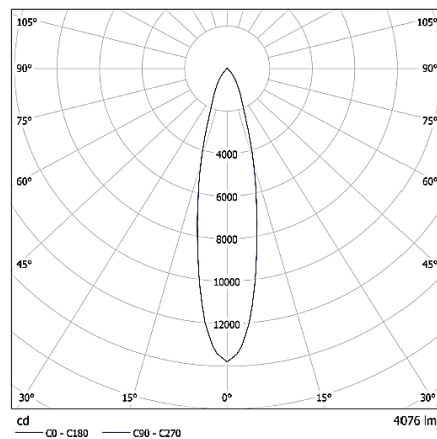
### MOUNTING (typical)



*Mounting on a Spigot of Ø42mm*

### LIGHT DISTRIBUTION

- Several optical options providing excellent photometry to optimally cater generate a narrow or a wide light beam or can be equipped with lenses for asymmetric light distributions.



## KESELEC ORDERING CODE (KOC)

**EXAMPLE:** BZ-035-40-R0-E13-SM-O12-P1-D0-S4-C1-T1-F1-L15

