

TECHNICAL DESCRIPTION



IS 10322
(Part 5/Sec 3):2012

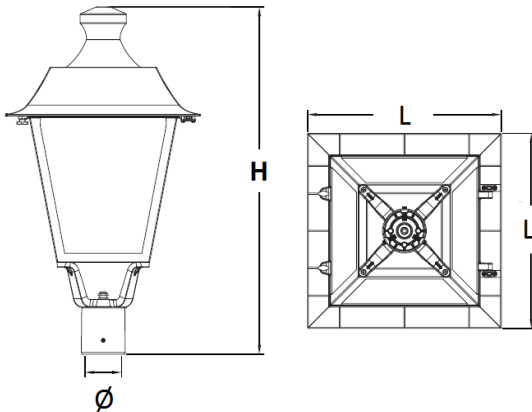


IK08

IP66



DIMENSIONS



Wattage (W)	Dimensions L x H (mm)	Spigot Diameter Ø (mm)
30W	420 X 750	76
40W		
60W		
80W		

APPLICATIONS

- Pathways
- Jogging Track
- Parks
- Landscape areas
- Residential & City Streets
- Bridges

DESCRIPTION (Tender text)

LED Decorative Classic luminaire (IP66), BIS certified with a body and frame made of high pressure die cast aluminium, a flat glass protector (IK08) fixed on to the optical unit, separate optical and control gear compartment designed for tool free opening and closing with automatic electrical disconnection, a vent pressure equalization unit, provision for installation of NEMA socket and pre-cabled as required.

Highly efficient temperature resistant lenses for symmetric or asymmetric light distribution with several optical options providing excellent photometry to optimally cater to different applications.

Overall system efficiency of 110lm/W or 120lm/W at correlated colour temperature (CCT) of 4000K (optional 3000K & 5700K), colour rendering index (CRI) >70 and L70 rated lifetime of 50,000 hours.

Electrical Class I, rated voltage 240Vac, Power Factor ≥ 0.95, with BIS certified potted driver having internal surge protection of 4/4 kV and an additional surge protection device (SPD) of 10/10 kV (in both Common & Differential Modes).

CHARACTERISTICS

- Efficient, reliable with High System efficacy.
- Automatic electrical disconnection
- Post Top and Suspended mounting options
- Operating Voltage Range: 240Vac
- Operating temperature range: -10°C to 50°C
- Surge Protection Device: Standard 10kV or optional 20kV SPD
- Fitted with Vent for pressure equalization
- Available in three versions: without glass or with a glass sides (clear or frosted)
- Option of NEMA socket for smart lighting
- Ingress Protection: IP66
- Impact resistance: IK08

RATING & EFFICACY

Catalogue Reference	Wattage (W)	CCT (K)	CRI	System Efficacy (Lm/W) (for without side glass version)	
				(with 3030 LED)	(with 5050 LED)
GOA 30W	30	4000	> 70	110	120
GOA 40W	40	4000	> 70	110	120
GOA 60W	60	4000	> 70	110	120
GOA 80W	80	4000	> 70	110	120

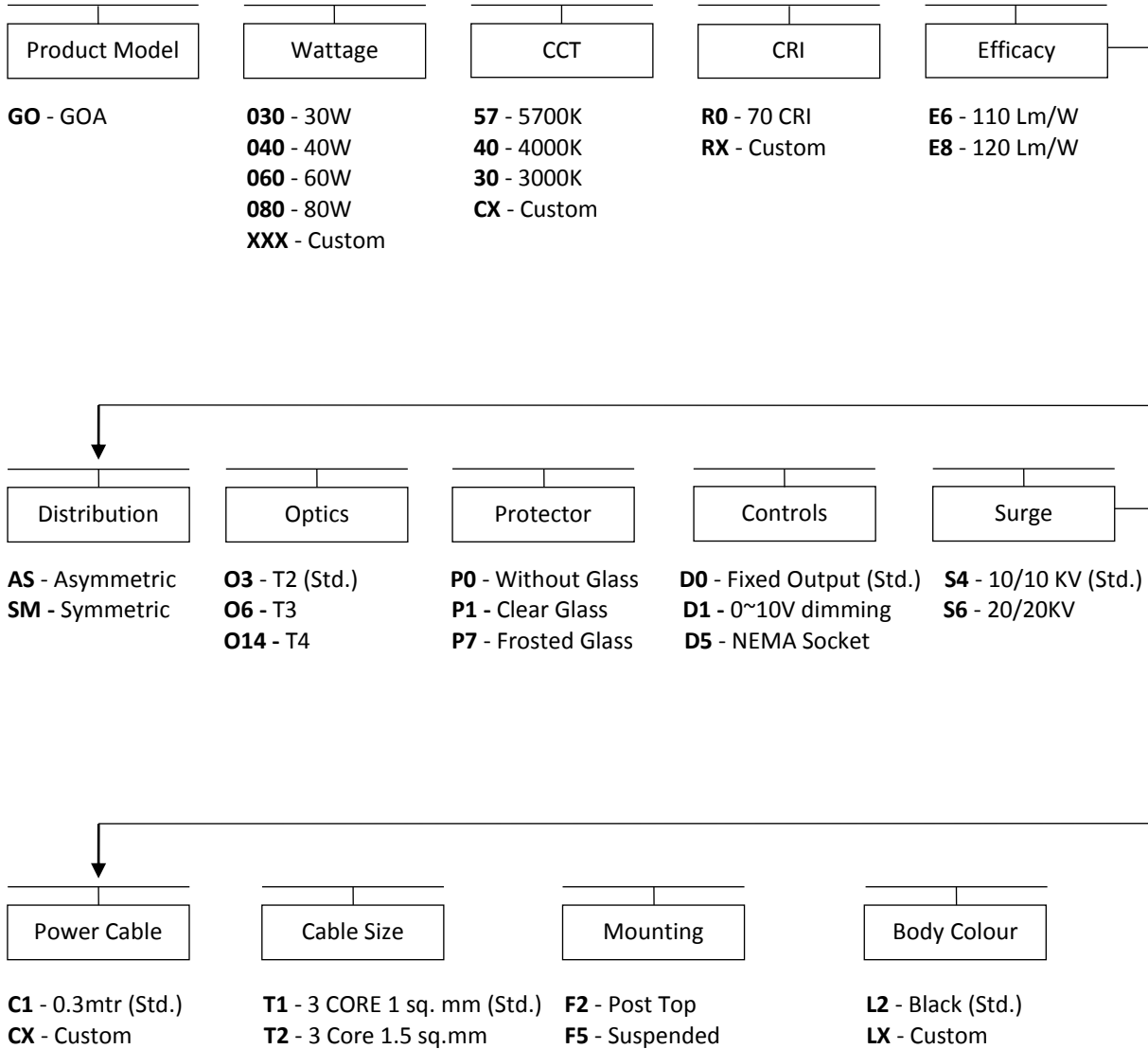
- The system efficacy & power consumption (wattage) of the luminaire are the values at 25°C ambient temperature, as initially tested and are dependent on environmental conditions, like temperature and may vary with specific configurations. Efficacy values are subject to ±5% tolerance at rated voltage.
- Data subjected to change as we keep on adopting latest technologies to keep in sync with market, please consult us.
- Products for special application are also available, Please contact us for details.

Variants



KESELEC ORDERING CODE (KOC)

EXAMPLE: GO-040-57-R0-E6-AS-O3-P0-D0-S4-C1-T1-F2-L2



* Custom requirement for each category is to be defined.