

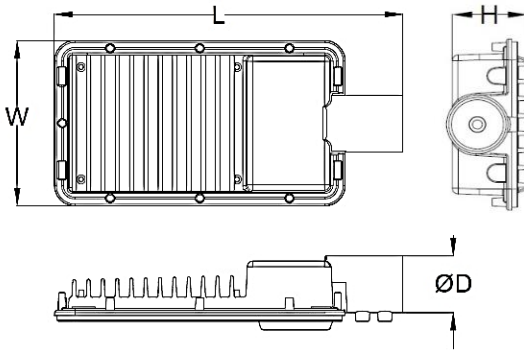
**TECHNICAL DESCRIPTION**



IS 10322  
(Part 5/Sec 3):2012



**DIMENSIONS**



Wattage (W)	Dimensions L x W x H (mm)	Pipe Ø (mm)
40W	345 x 132 x 68	42
75W	390 x 184 x 77	48
90W	460 x 230 x 79	42-48
120W	521 x 250 x 81	42-48
150W		
180W	592 x 290 x 85	48-60
200W		
220W		

**APPLICATIONS**

- Highways and Main Road Lighting
- Parking lots and Area Lighting
- City Roads

**DESCRIPTION (Tender text)**

LED Street light luminaire (IP66), BIS certified with a flat toughened glass protector IK07 (optional IK08 or IK10 with PC cover), body of high pressure die cast aluminium.

Several optical options providing excellent photometry to optimally cater to all kinds of road configurations.

Suitable for horizontal mounting for 42-60mm diameter pipe and pre-cabled as required.

Overall system efficiency of 110lm/W or 120lm/W or 140lm/W at correlated colour temperature (CCT) of 5700K (optional 3000K & 4000K), colour rendering index (CRI) >70 and L70 rated lifetime of 50,000 hours.

Electrical Class I, rated voltage 240Vac, Power Factor ≥ 0.95, with BIS certified potted driver having internal surge protection of 4/4 kV upto 75W and an additional surge protection device (SPD) of 10/10 kV from 90W and above (in both Common & Differential Modes).

**CHARACTERISTICS**

- Optimised photometric & mechanical performance with a minimum TCO (Total Cost of Ownership)
- Operating temperature range: -10°C to 50°C
- Operating Voltage Range: 240Vac
- Surge Protection Device: (from 90W above) Standard 10kV or optional 20kV SPD
- Electrical class I
- Suitable for a horizontal mounting of 42 to 60mm diameter according to wattage range.
- Versions with Vent to equalize pressure (optional)
- Versions with Impact resistance of IK08 (with glass) and IK10 (with PC) covers.
- Ingress Protection: IP66
- Impact resistance: IK07

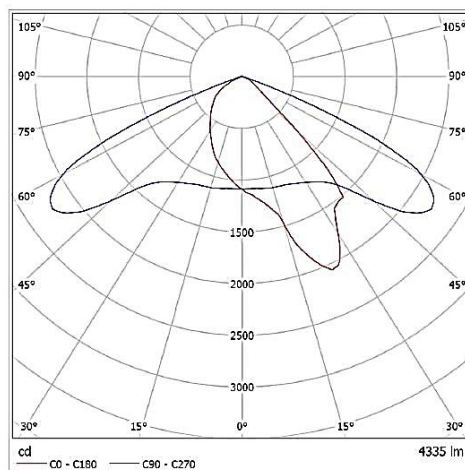
**RATING & EFFICACY**

Catalogue Reference	Wattage (W)	CCT (K)	CRI	Luminaire Efficacy (Lm/W)		
HANA 40W	40	5700	70	110	120	140
HANA 75W	75	5700	70	110	120	140
HANA 90W	90	5700	70	110	120	140
HANA 120W	120	5700	70	110	120	140
HANA 150W	150	5700	70	110	120	140
HANA 180W	180	5700	70	110	120	140
HANA 200W	200	5700	70	110	120	140
HANA 220W	220	5700	70	110	120	140

- The system efficacy & power consumption (wattage) of the luminaire are the values at 25°C ambient temperature, as initially tested and are dependent on environmental conditions, like temperature and may vary with specific configurations. Efficacy values are subject to ±57% tolerance at rated voltage.
- Data subjected to change as we keep on adopting latest technologies to keep in sync with market, please consult us.
- Products for special application are also available, Please contact us for details.

**Light Distributions**

- Several optical options providing excellent photometry to optimally cater to all kinds of road configurations.



**KESELEC ORDERING CODE (KOC)**

**EXAMPLE:** HN-040-57-R0-E6-AS-O3-P1-D0-S0-C1-T1-F1-L14

