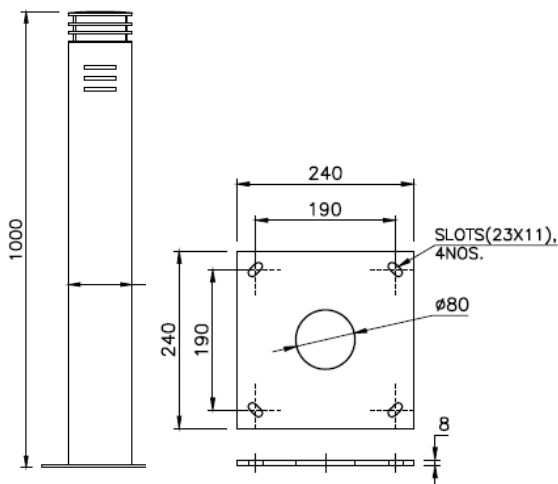


TECHNICAL DESCRIPTION



DIMENSIONS



Model	Wattage (W)	Dimensions W x H (mm)
ISA Bollard	16	140 x 1000

APPLICATIONS

- Pathway
- Jogging track & Cycle track
- Green areas and parks
- Landscape areas

DESCRIPTION (Tender text)

LED Bollard, BIS certified made of zinc plated cylindrical steel pipe, permanently sealed optical block (IP66) with aluminium heat sink and a diffused PMMA protector (IK07).

Highly efficient symmetric light distribution providing excellent photometry to maximise the spacing between the bollards.

Suitable for on-ground mounting on 4xM10 bolts on 190mm PCD.

System power of 16W, Correlated colour temperature (CCT) of 4000K (optional 3000K & 5700K), colour rendering index (CRI) >70 and L70 rated lifetime of 50,000 hours.

Electrical Class I, rated voltage 240Vac, Power Factor ≥ 0.95, with BIS certified potted driver having internal surge protection of 4/4 kV (in both Common & Differential Modes).

CHARACTERISTICS

- Robust mechanical construction
- Maximised savings in energy and maintenance costs
- Highly weather resistant, sea weather-suitable coating on request
- Designed to provide value technology like in-built protection against high surge, open and short circuit suitable for Indian conditions
- Easy to install
- Electrical class I
- Operating temperature range -10°C to 50°C.
- Operating Voltage Range: 240Vac
- On-ground mounting on 4 x M10 bolts on 190mm PCD.
- Ingress Protection: IP66 optical & IP44 driver compartments
- Impact resistance: IK07

RATING & EFFICACY

Catalogue Reference	Wattage (W)	CCT (K)	CRI	System Lumens (Lm)
ISA BOLLARD-16W	16W	4000	> 70	350

- The system efficacy & power consumption (wattage) of the luminaire are the values at 25°C ambient temperature, as initially tested and are dependent on environmental conditions, like temperature and may vary with specific configurations. Efficacy values are subject to ±5% tolerance at rated voltage.
- Data subjected to change as we keep on adopting latest technologies to keep in sync with market, please consult us.
- Products for special application are also available, Please contact us for details.



KESELEC ORDERING CODE (KOC)

EXAMPLE: IB-016-40-R0-E17-SM-O0-P6-D0-S0-C0-T0-F10-L14

