

TECHNICAL DESCRIPTION



2-Way

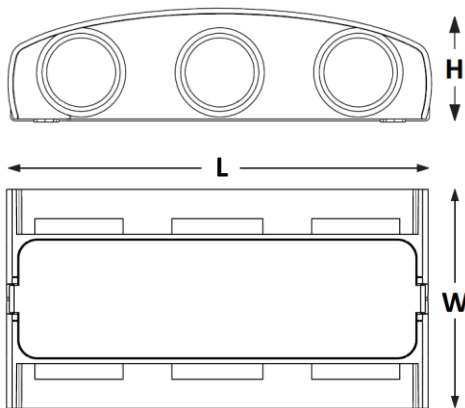


4-Way



6-Way

DIMENSIONS



Model	Wattage (W)	Dimensions L x W x H (mm)
KYIV - 2W	2W	60.5 x 86.5 x 34
KYIV - 4W	4W	97 x 80 x 36.5
KYIV - 6W	6W	152.5 x 80 x 41

APPLICATIONS

- Apartments and Building
- Hotels
- Garden
- Courtyard
- Landscape areas

DESCRIPTION (Tender text)

Decorative LED Up-Down Light, BIS certified with a grey painted die casted aluminium body and a PC lens sealed with the body to achieve complete IP66 protection and making the luminaire suitable for outdoor use.

Surface-mounted luminaire for wall mounting.

The optics of the luminaire shall be designed for two-sided light emission in both upward and downward directions. Design life shall not be less than 30,000 burning hours.

Overall luminous efficiency of luminaire shall be 50 Lm/W ± 7% at correlated colour temperature (CCT) of 3000K with tolerance as per ANSI standard, colour rendering index (CRI) 80.

Electrical Class I, rated voltage 240Vac, Power Factor ≥ 0.50 for 2W and > 0.9 for 4W & 6W. Shall be supplied pre-cabled for easy installation.

The product complies with the essential safety requirements of the applicable BIS standard.

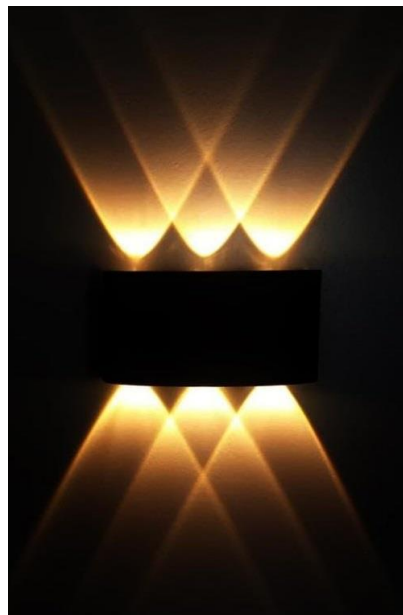
CHARACTERISTICS

- Perfectly suited for ambiance creation
- Two-sided light emission in both upward and downward directions
- Available in three different sizes
- Designed for outdoors
- Easy installation
- Mounting on wall with aluminium mounting plate
- Protection against dust & water from any direction
- Warm White Light – 3000K
- Colour rendering index (CRI): 80
- Lifetime up to 30,000 hour(s)
- Electrical class I
- Operating Voltage Range: 240Vac

RATING & EFFICACY

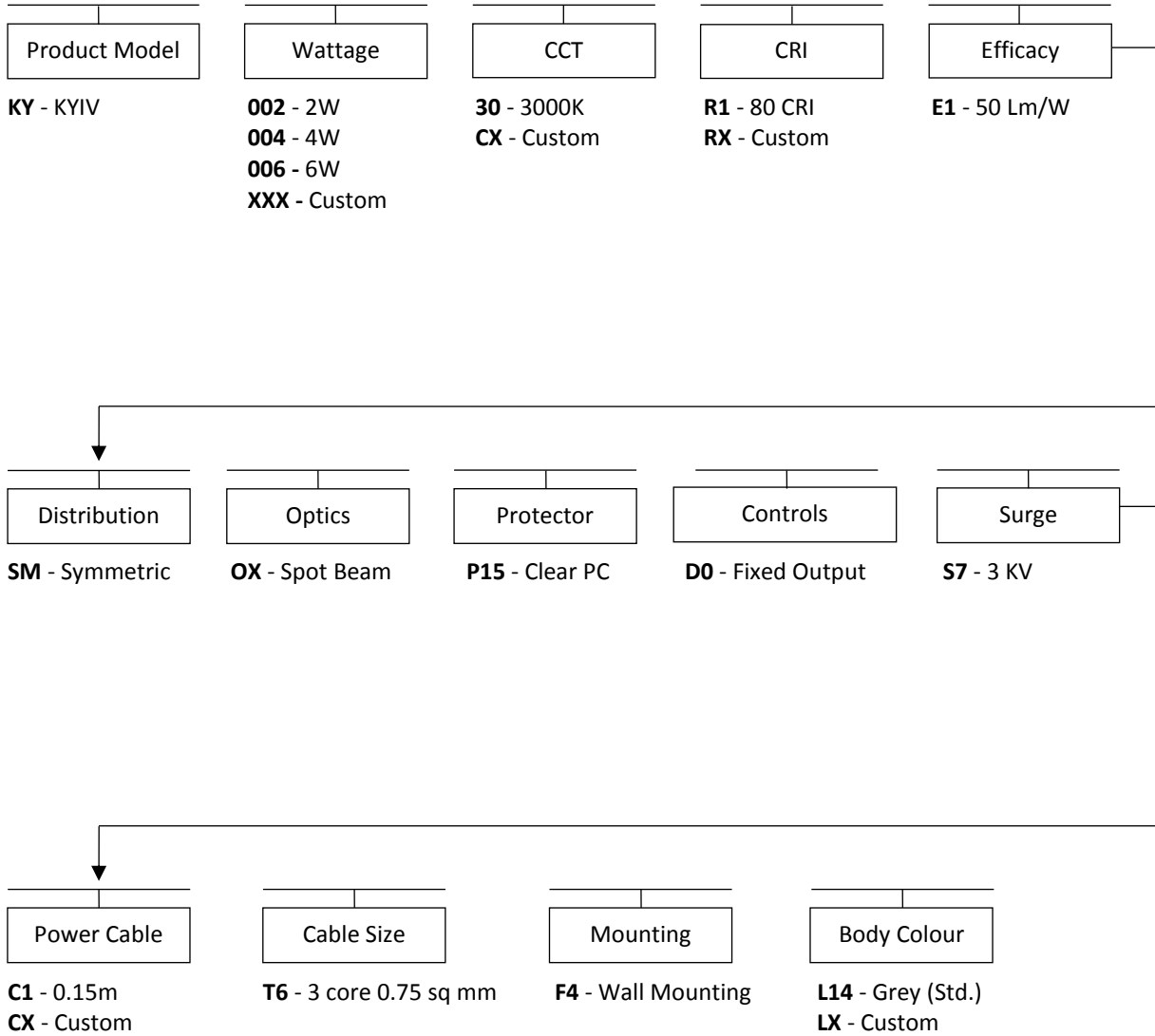
Catalogue Reference	Wattage (W)	CCT (K)	CRI	System Efficacy (Lm/W)
KYIV - 2W	2W	3000	80	50
KYIV - 4W	4W	3000	80	50
KYIV - 6W	6W	3000	80	50

- The system efficacy & power consumption (wattage) of the luminaire are the values at 25°C ambient temperature, as initially tested and are dependent on environmental conditions, like temperature and may vary with specific configurations. Efficacy values are subject to ±7% tolerance at rated voltage.
- Data subjected to change as we keep on adopting latest technologies to keep in sync with market, please consult us.
- Products for special application are also available, Please contact us for details.



KESSELEC ORDERING CODE (KOC)

EXAMPLE: KY-004-30-R1-E1-SM-OX-P15-D0-S7-C1-T6-F4-L14



* Custom requirement for each category is to be defined.