

TECHNICAL DESCRIPTION



IS 10322
(Part 5/Sec 3):2012

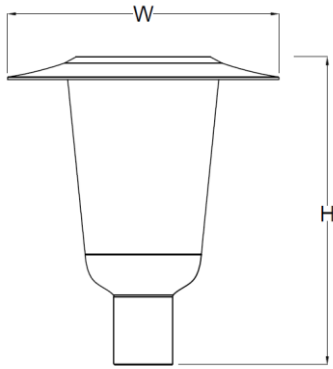


IK10

IP66



DIMENSIONS



Wattage (W)	Dimensions W x H (mm)	Spigot Diameter Ø (mm)
25W		
35W		
45W	430 x 487	76
60W		
80W		

APPLICATIONS

- Pathways
- Jogging Track
- Parks
- Landscape areas
- Residential and Campus Streets
- Bridges

DESCRIPTION (Tender text)

LED Decorative Classic Post Top luminaire, BIS certified with the body and canopy made of high pressure die cast aluminium, polycarbonate protector (IK10) fixed on to the body, IP66 optical & control gear compartments.

Highly efficient temperature resistant lenses for symmetric or asymmetric light distribution with several optical options providing excellent photometry to optimally cater to different applications.

Overall system efficiency of 110lm/W or 125lm/W at correlated colour temperature (CCT) of 4000K (optional 3000K & 5700K), colour rendering index (CRI) >70 and L70 rated lifetime of 50,000 hours.

Electrical Class I, rated voltage 240Vac, Power Factor ≥ 0.95, with BIS certified potted driver having internal surge protection of 4/4 kV and an additional surge protection device (SPD) of 10/10 kV (in both Common & Differential Modes).

CHARACTERISTICS

- Efficient, reliable with High System efficacy
- Optimised photometric & mechanical performance with a minimum TCO (Total Cost of Ownership)
- Operating temperature range: -10°C to 50°C
- Asymmetric Optics for Pathway/Streets or Symmetric Optics for Landscape/Area lighting applications
- Operating Voltage Range: 240 Vac
- Surge Protection Device: Standard 10kV or optional 20kV
- Vertical mounting of 76mm diameter.
- Ingress Protection: IP66
- Impact resistance: IK10

RATING & EFFICACY

Catalogue Reference	Wattage (W)	CCT (K)	CRI	System Efficacy (Lm/W)	
				(with 3030 LED)	(with 5050 LED)
MIRI 25W	25	4000	> 70	110	125
MIRI 35W	35	4000	> 70	110	125
MIRI 45W	45	4000	> 70	110	125
MIRI 60W	60	4000	> 70	110	125
MIRI 80W	80	4000	> 70	110	125

- The system efficacy & power consumption (wattage) of the luminaire are the values at 25°C ambient temperature, as initially tested and are dependent on environmental conditions, like temperature and may vary with specific configurations. Efficacy values are subject to ±5% tolerance at rated voltage.
- Data subjected to change as we keep on adopting latest technologies to keep in sync with market, please consult us.
- Products for special application are also available, Please contact us for details.

KESELEC ORDERING CODE (KOC)

EXAMPLE: MI-045-57-R0-E6-AS-O3-P6-D0-S4-C1-T1-F2-L14

