

**TECHNICAL DESCRIPTION**

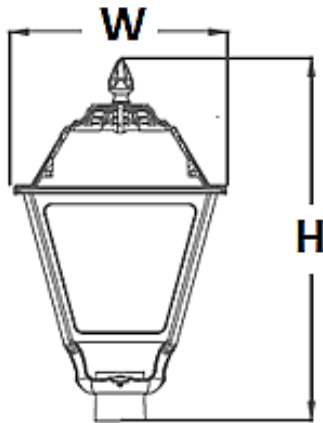


IK06

IP66



**DIMENSIONS**



Model	Wattage (W)	Dimensions W x H (mm)
RILA	30	315 x 555
	40	
	50	
	60	

**APPLICATIONS**

- Pathways
- Jogging Track
- Parks
- Landscape areas
- Residential & City Streets
- Bridges

**DESCRIPTION (Tender text)**

LED Decorative Classic luminaire (IP66), BIS certified with a body and frame of high pressure die cast aluminium, a frosted PMMA protector (IK06) fixed on to the optical unit, separate optical and control gear compartment (IP65) accessed by opening four screws at the top of the luminaire, a vent pressure equalization unit and pre-cabled as required.

Highly efficient temperature resistant lenses for symmetric or asymmetric light distribution with several optical options providing excellent photometry to optimally cater to different applications.

Overall system efficiency of 110lm/W at correlated colour temperature (CCT) of 4000K (optional 3000K & 5700K), colour rendering index (CRI) >70 and L70 rated lifetime of 50,000 hours. Electrical Class I, rated voltage 240Vac, Power Factor ≥ 0.95, with BIS certified potted driver having internal surge protection of 4/4 kV and an additional surge protection device (SPD) of 10/10 kV (in both Common & Differential Modes).

**CHARACTERISTICS**

- Separate “sealed” optical and control gear compartment.
- “Asymmetric” Optics for Pathway/Streets or “Symmetric” Optics for Landscape/Area lighting
- Electrical class I
- Operating temperature range -10°C to 50°C.
- Operating Voltage Range: 240Vac
- Surge Protection Device: Standard 10kV or optional 20kV SPD
- Fitted with Vent for pressure equalization
- Post Top and Suspended mounting options
- Ingress Protection: IP66
- Impact resistance: IK06

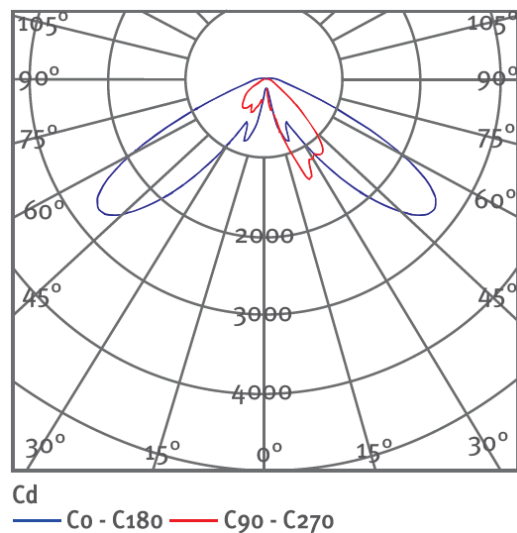
**PHOTOMETRY**

Catalogue Reference	Wattage (W)	CCT (K)	CRI	System Efficacy (Lm/W)
RILA 30W (ASYM OR SYM)	30W	4000	70	110
RILA 40W (ASYM)	40W	4000	70	110
RILA 50W (ASYM OR SYM)	50W	4000	70	110
RILA 60W (ASYM OR SYM)	60W	4000	70	110

- The system efficacy & power consumption (wattage) of the luminaire are the values at 25°C ambient temperature, as initially tested and are dependent on environmental conditions, like temperature and may vary with specific configurations. Efficacy values are subject to ±5% tolerance at rated voltage.
- Data subjected to change as we keep on adopting latest technologies to keep in sync with market, please consult us.
- Products for special application are also available, Please contact us for details.

**Light Distributions**

- Several optical options providing excellent photometry to optimally cater to different applications.
- It can cover larger area with increased pole span & reduced number of luminaires



**Mounting (Typical)**



**SUSPENDED**

- Asymmetric lighting for roads
- Single or double-sided installation



**POST TOP**

- Asymmetric lighting for roads
- Symmetric for parks, pedestrian areas



**KESELEC ORDERING CODE (KOC)**

**EXAMPLE:** RL-040-40-R0-E4-AS-O6-P4-D0-S4-C7-T1-F5-L14

