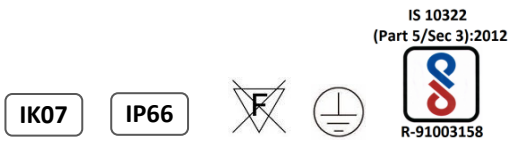
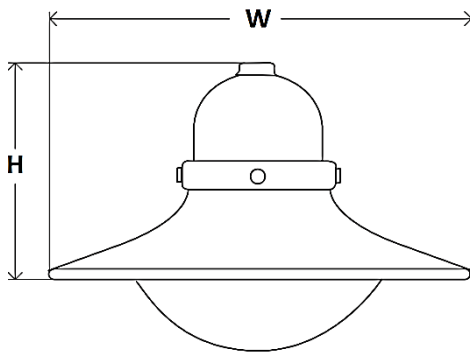


**TECHNICAL DESCRIPTION**



**DIMENSIONS**



Model	Wattage (W)	Dimensions W x H (mm)
VALE	40W	540 x 370
	50W	

**APPLICATIONS**

- Pathway
- Jogging track
- Green areas and parks
- Landscape areas
- Residential streets
- Bridges

**DESCRIPTION (Tender text)**

Decorative classic LED street lantern, BIS certified with a luminaire body made of cast and spun aluminium, permanently sealed optical block (IP66) with heat sink and PMMA protector (IK07) fitted with a VentPlug pressure equalisation unit, fixed onto a hinged spun aluminium frame, control gear compartment (IP44) accessed by loosening one screw for tool free opening and closing.

Highly efficient temperature resistant lenses for symmetric or asymmetric light distribution with several optical options providing excellent photometry to optimally cater to different applications.

Suitable for suspended mounting with ½” BSP threaded pipe or a galvanised painted mounting bracket for Post Top version.

Overall system efficiency of 120lm/W at correlated colour temperature (CCT) of 4000K (optional 3000K & 5700K), colour rendering index (CRI) >70 and L70 rated lifetime of 50,000 hours.

Electrical Class I, rated voltage 240Vac, Power Factor ≥ 0.95, with BIS certified potted driver having internal surge protection of 4/4 kV and an additional surge protection device (SPD) of 10/10 kV (in both Common & Differential Modes).

**CHARACTERISTICS**

- Separate “sealed” optical and control gear compartments
- Tool less opening for gaining access to the control gear and electrical compartment
- Electrical class I
- Operating temperature range -10°C to 50°C.
- Operating Voltage Range: 240Vac
- Surge Protection Device: Standard 10kV and optional 20kV SPD
- Fitted with Vent for pressure equalization
- Ingress Protection: IP66
- Impact resistance: IK07

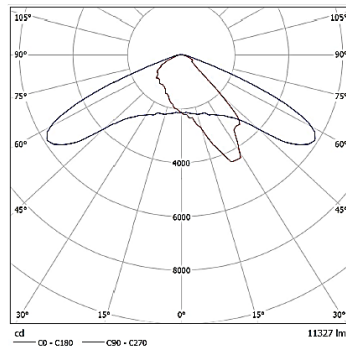
**RATING & EFFICACY**

Catalogue Reference	Wattage (W)	CCT (K)	CRI	System Efficacy (Lm/W)
VALE 40W (ASYM)	40W	4000	> 70	120
VALE 50W (ASYM OR SYM)	50W	4000	> 70	120

- The system efficacy & power consumption (wattage) of the luminaire are the values at 25°C ambient temperature, as initially tested and are dependent on environmental conditions, like temperature and may vary with specific configurations. Efficacy values are subject to ±5% tolerance at rated voltage.
- Data subjected to change as we keep on adopting latest technologies to keep in sync with market, please consult us.
- Products for special application are also available, Please contact us for details.

**Light Distributions**

- Excellent photometry to optimally cater to different applications.
- It can cover larger area with increased pole span & reduced number of luminaires



**Versions**



**VALE:-  
With PMMA (IK07) protector**



**VALE:-  
With Polycarbonate (IK09) protector**

## Mounting (Typical)



### SUSPENDED

- Asymmetric lighting for roads
- Single or double-sided installation



### POST TOP

- Asymmetric lighting for roads
- Symmetric for parks, pedestrian areas



**KESELEC ORDERING CODE (KOC)**

**EXAMPLE:** VA-040-57-R0-E6-AS-O6-P6-D0-S4-C0-T0-F5-L14

