

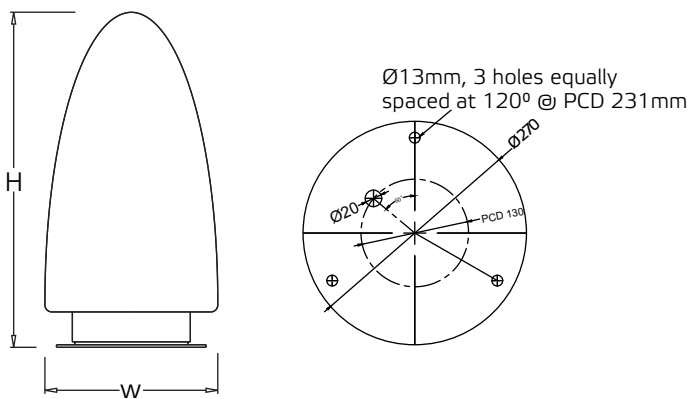
BULLET

SIMPLY BEAUTIFUL
&
LOVED BY ARCHITECTS



Bullet Bollard, designed by an architect for the architects, is a lit form that combines aesthetics & functionality once the night has fallen.

Bullet has a very robust & high impact resistant protector made of LDPE (Low Density Polyethylene). It is ideal for parks, gardens, pathways and building fronts.



Input Power	Size W H (mm)	Weight (Kg)	Rated Voltage (V)	Power Factor	ATHD	Input Frequency	Efficacy* (Lm/W)	CCT**	CRI
BULLET 15W	300 582	5.3	240	>0.95	<10%	50Hz	50	WW/NW/CW	70

* For NW/CW only

** WW: 3000K, NW: 4000K, CW: 5700K. Other CCTs also available on request



Material & Finish

- Housing - Pressure Die Cast Aluminium
- Protector - LDPE (Low density Polyethylene)

IS 10322
(Part 5/Sec 3):2012

 R-91003158
 www.bis.gov.in

IP66

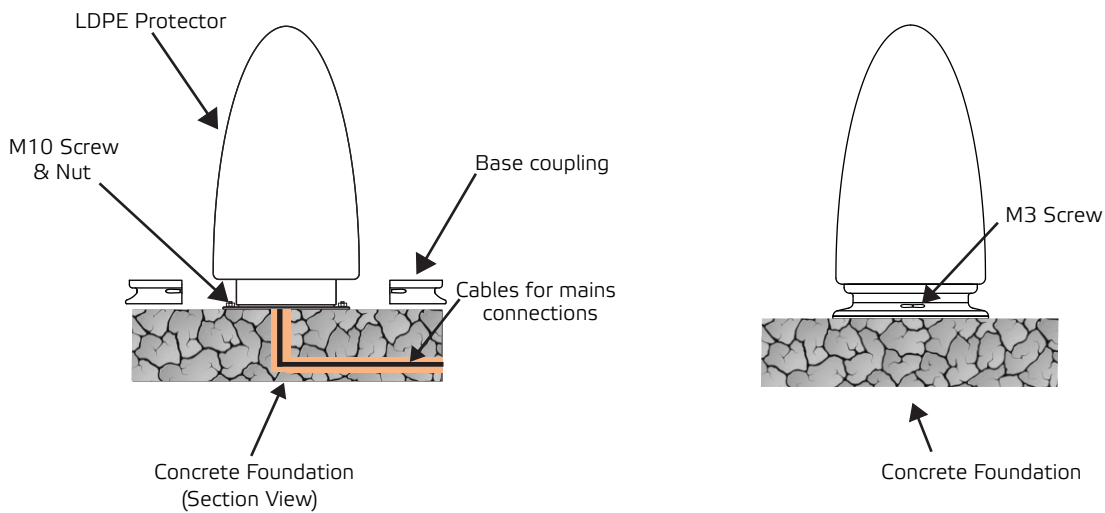
IK10
++

10KV



>50,000
Hours
L70

Installation & Mounting



Manufacturing:
Kesslec Smart Lighting Technologies Private Limited
 (Formerly Keselec Lighting Private Limited )
 Plot no 55 Industrial Area | N.I.T
 Faridabad -121001 | Haryana | India
 E-mail: info@kesslec.com

