

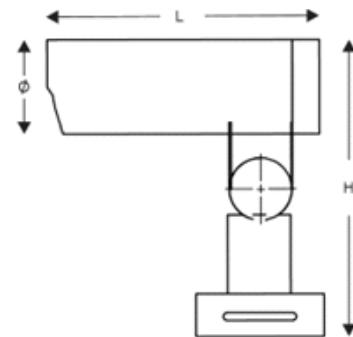
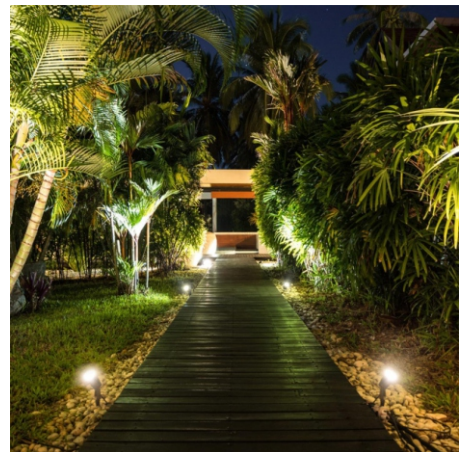
TUPIZA

VERSATILE & COMPACT



The TUPIZA spike light is a blend of durable design, flexible installation, efficient illumination, and long-lasting performance. It has a sleek, grey-painted die-cast aluminium body with a glass protector, an adjustable mounting bracket for precise inclination and secure placement and efficient illumination.

Equipped with a high-performance COB light engine with a CRI of 80 for vibrant accurate lighting, it is supplied pre-cabled for effortless installation.



Input Power	Ø	Size L	H	Weight (Kg)	Rated Voltage (V)	Power Factor	ATHD	Input Frequency	Efficacy* (Lm/W)	CCT**	CRI
TUPIZA 7W	60	132	155	7.0	240	>0.90	<15%	50Hz	70	WW/NW/CW	80
TUPIZA 15W	60	132	155	7.0	240	>0.90	<15%	50Hz	70	WW/NW/CW	80

* For CW only.

** WW: 3000K, NW: 4000K, CW: 5700K. Other CCTs also available on request



Material & Finish

- Housing - Cast & spun Aluminium
- Protector - Polycarbonate
- Finish - Powder coated Grey / colour options on request

Installation & Mounting

- Available with three mounting
- Flat Mounting, Surface Mounting, & Soil Soft Mounting
- Adjustable Inclination

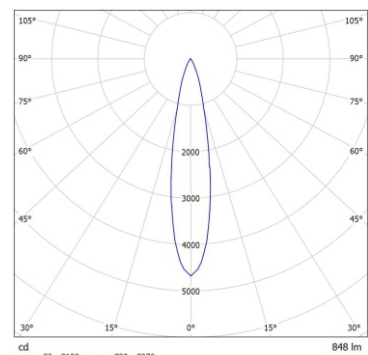


IS 10322
(Part 5/Sec 3):2012

R-91003158
www.bis.gov.in

IP66	IK07	04KV			>50,000 Hours L70
------	------	------	---	---	-------------------------

Light Distribution



30°